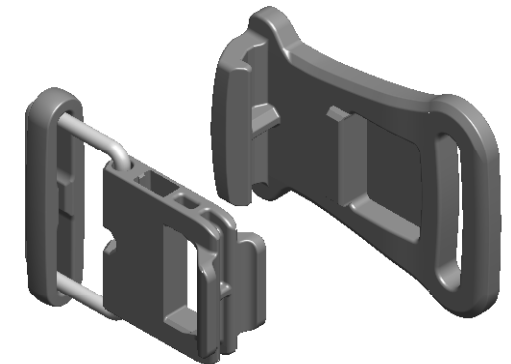
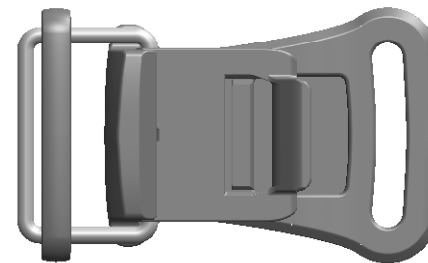
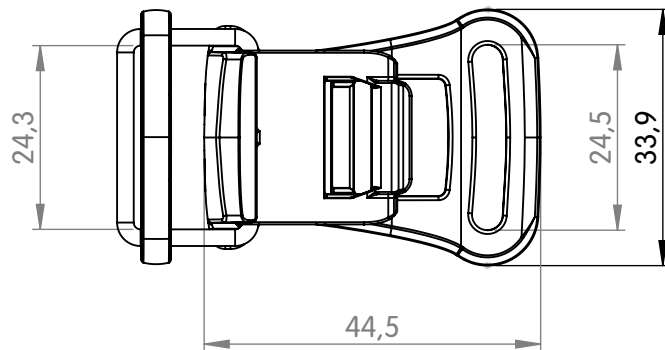
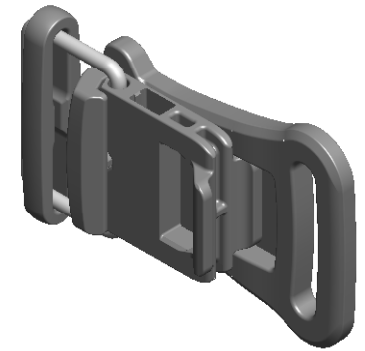
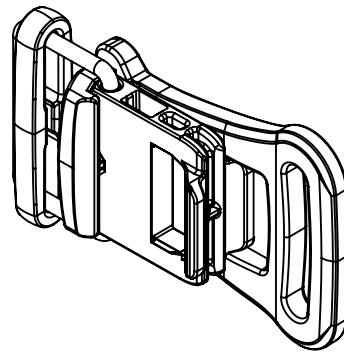
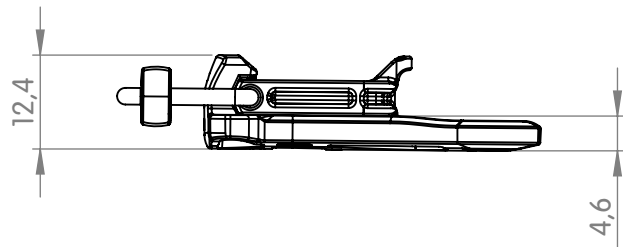


FIDLOCK®



Product	HOOK 25 reverse
Opening	lifting
Material	PA66GF; stainless steel D-ring
Colour	black
Weight	12,5g
Load capacity	40kg
General notes	

Article No	01200
Scale	1:1
Date	27.04.2015

patented technology.