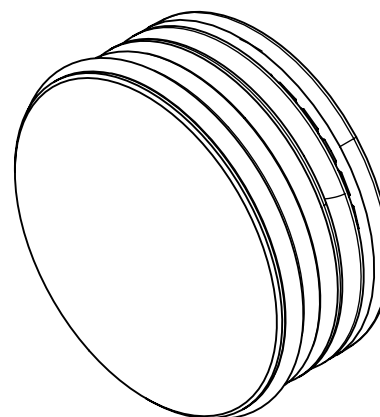


Product	<b>MINI TURN set handle C alu 50</b>
Opening	Turn
Material	aluminium / PA66-GF / steele / NdFeB
* Material thicknesses	1,0mm - 2,6mm
Colour	black
Weight	37 g
Load capacity	44 kg
Assambly Guide	<a href="https://fidlock.com/sites/default/files/MINI_TURN-thread-assembly_guide.pdf">https://fidlock.com/sites/default/files/MINI_TURN-thread-assembly_guide.pdf</a>



Article No	02040
Scale	1:1
Date	09.11.2021
Author	AB