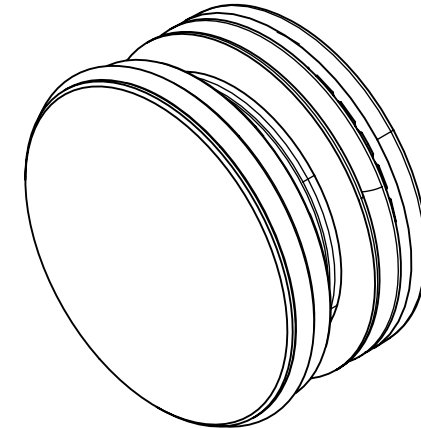


FIDLOCK®



Product	MINI TURN set handle C alu 50 high
Opening	Turn
Material	aluminium / PA66-GF / steele / NdFeB
Colour	black
Weight	47 g
Load capacity	44 kg
General notes	

Article No	02042
Scale	1:1
Date	01.07.2020
Author	DR

patented technology.