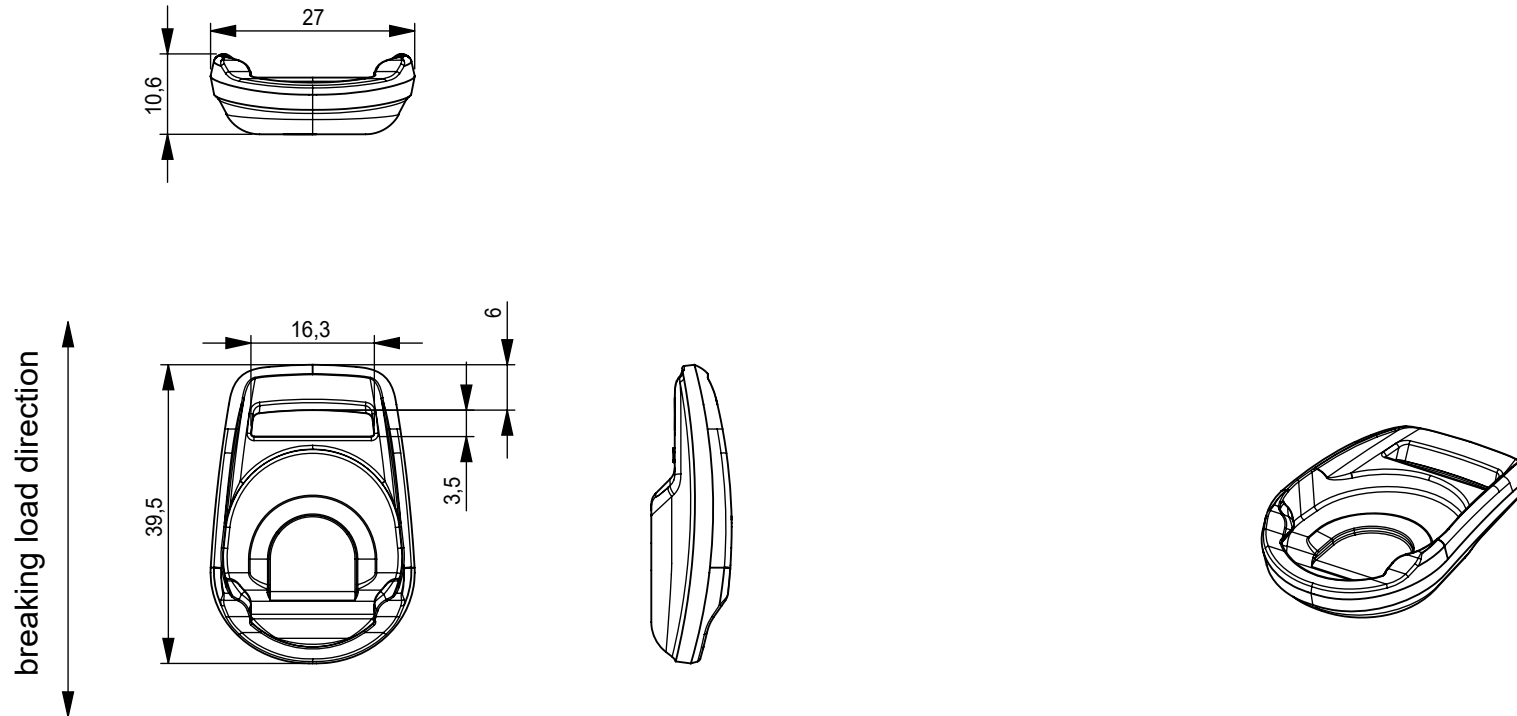


COINTRAP female M 15 SB

patented technology



nominal values in millimeters [mm]

OPENING	Pull
MATERIAL	PA66GF, NdFeB, epoxy
COLOUR	black
WEIGHT	4.9 g (weighed)
BREAKING LOAD	max. 500 N (depending on male part and attachment)

GENERAL NOTES*

Use in safety relevant applications, such as helmet straps, is subject to the approval of the attachment by Fidlock.

ARTICLE NO.	07070-F00002(BLK)
PRODUCT	COINTRAP female 15 SB
SCALE	DIN A4
REVISION / DATE	R00 02.10.24

* The manufacturer of the end products in which FIDLOCK fasteners are used, bears the responsibility for thoroughly testing that the FIDLOCK products are suitable for the intended applications.