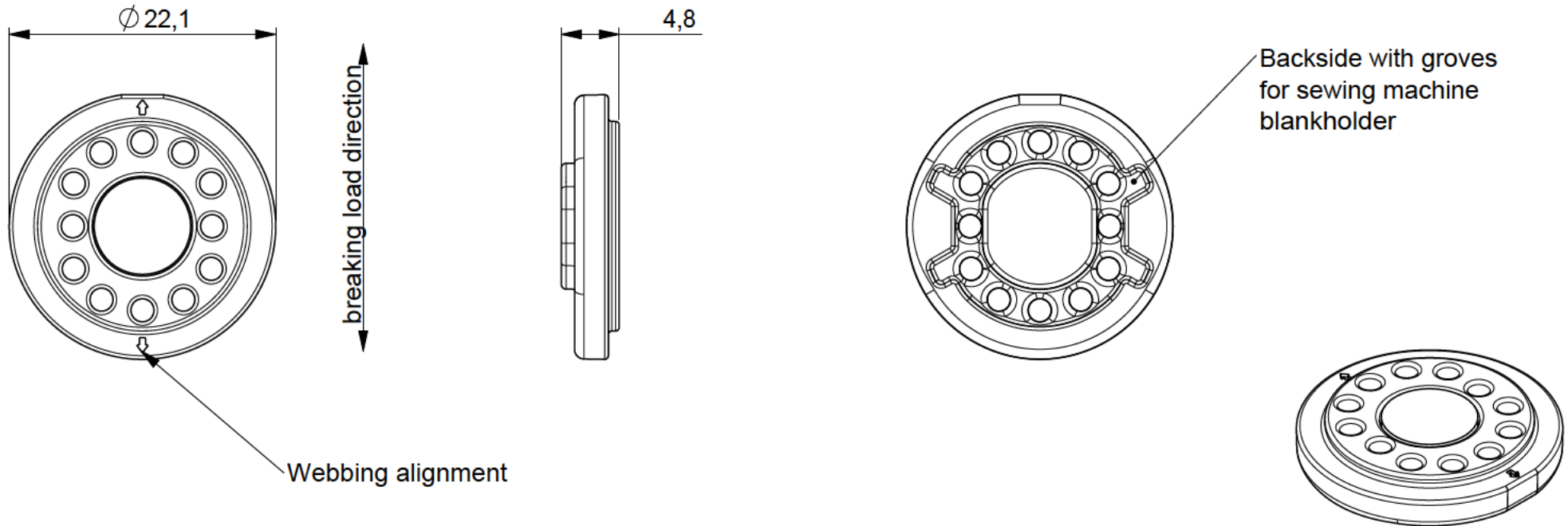


**COINTRAP male M UN**

patented technology



nominal values in millimeters [mm]

<b>OPENING</b>	lifting
<b>MATERIAL</b>	PA66 GF, Epoxy, NdFeB
<b>COLOUR</b>	black
<b>WEIGHT</b>	~ 2,5 g (weighed)
<b>BREAKING LOAD**</b>	please refer to female part

**GENERAL NOTES\***

For webbing width 15 mm only.

Use in safety relevant applications such as helmet straps is subject to the approval of the attachment by Fidlock.

<b>ARTICLE NO.</b>	07072-M00002
<b>PRODUCT</b>	Cointrap male M UN
<b>SCALE</b>	2:1 DIN A4
<b>REVISION / DATE</b>	R00 08.10.24

\* The manufacturer of the end products in which FIDLOCK fasteners are used, bears the responsibility for thoroughly testing that the FIDLOCK products are suitable for the intended applications.

\*\* According to test specification QM-TP-001