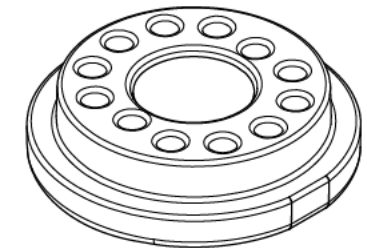
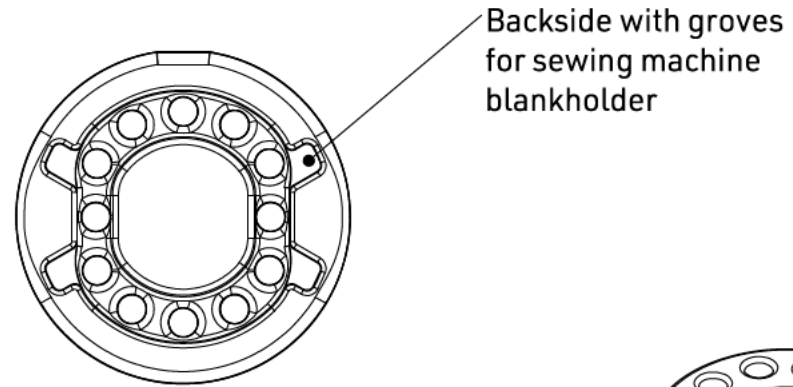
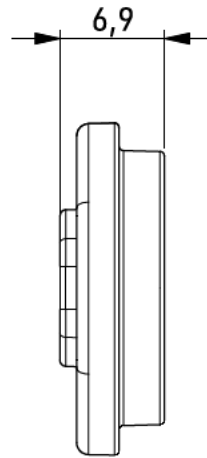
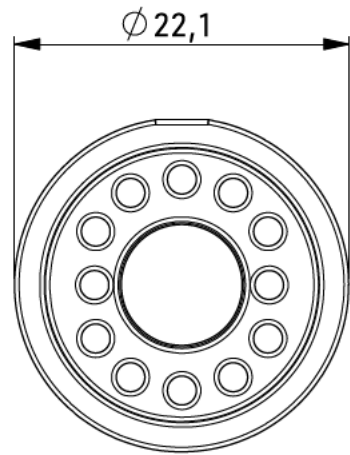


COINTRAP male M UN high

patented technology



nominal values in millimeters [mm]

OPENING	lifting
MATERIAL	PA66 GF, NdFeB, Epoxy
COLOUR	Black
WEIGHT	~3,4 g (weighed)
BREAKING LOAD**	please refer to female part

GENERAL NOTES*

For webbing width >15 mm and fabric applications (direct mount).

Use in safety relevant applications such as helmet straps is subject to the approval of the attachment by Fidlock.

ARTICLE NO.	07072-M10002
PRODUCT	COINTRAP male M UN high
SCALE	2:1 DIN A4
REVISION / DATE	R00 10.06.24

* The manufacturer of the end products in which FIDLOCK fasteners are used, bears the responsibility for thoroughly testing that the FIDLOCK products are suitable for the intended applications.

** According to test specification QM-TP-001