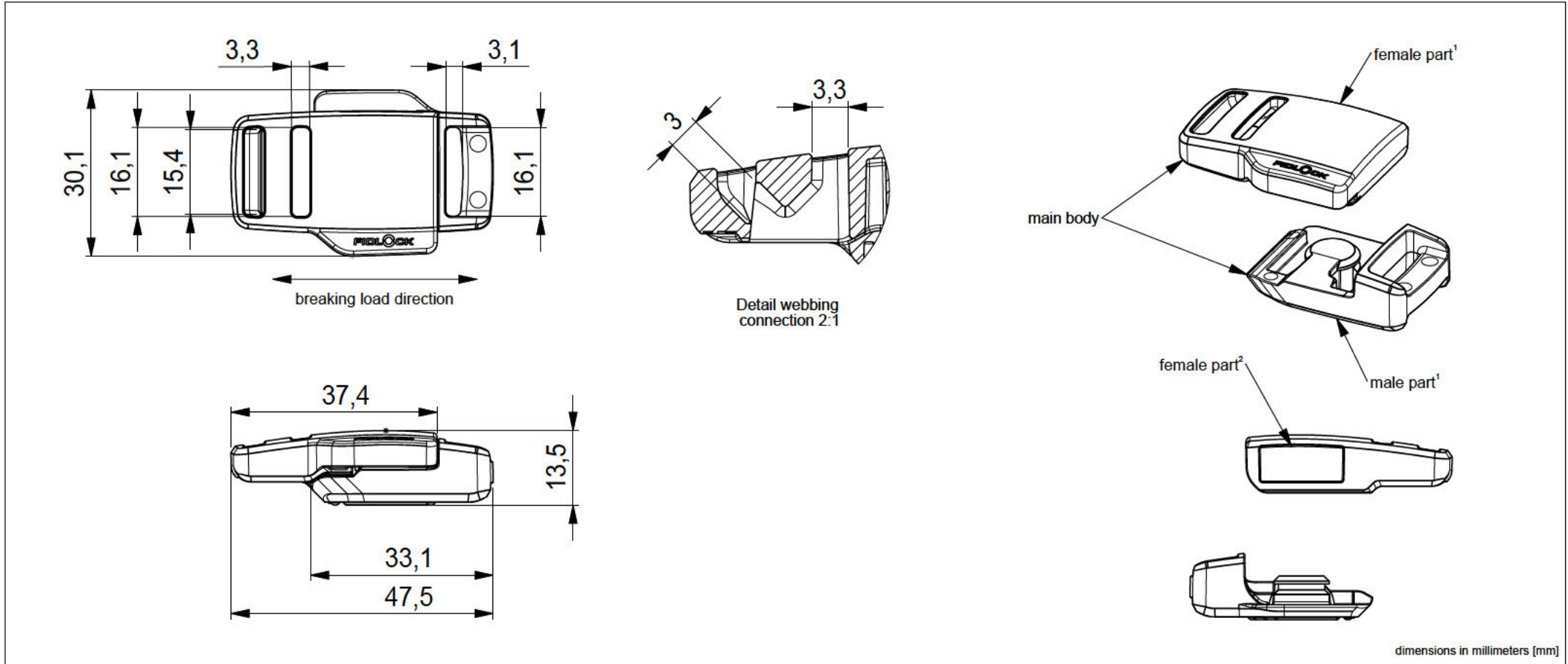


**SNAP helmet buckle**

patented technology



<b>OPENING</b>	slide laterally
<b>MATERIAL</b>	PA66GFCF <sup>1</sup> , PA6 <sup>2</sup> , NdFeB, Epoxy
<b>COLOUR</b>	black main body
<b>WEIGHT</b>	~11,2g (weighed)
<b>BREAKING LOAD**</b>	633N

**GENERAL NOTES\***

Designed for use in products that comply with the following standards :  
EN 1078/ ASTM 2040 / CPSC 1203 / AuNzS 2063

<b>ARTICLE NO.</b>	F7045-000001
<b>PRODUCT</b>	SNAP helmet buckle 15 tech line
<b>SCALE</b>	1:1 (DIN A4)
<b>REVISION / DATE</b>	R01 20.08.24

\*\* according to test specification QM-TP-001