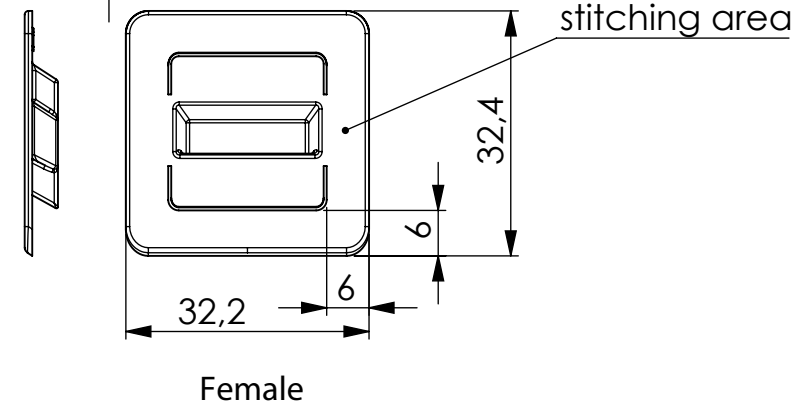
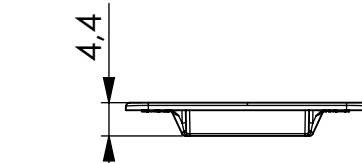


FIDLOCK®

punching hole of 21x21mm is recommended



Product	Stripe X1 Overlay
Opening	lift
Material	PA6
Colour	black
Weight	5,7 g
static breaking load	n.a.
General notes	X1 = one step on male part (not adjustable); Overlay = place part on the underground material, stitch from the frontside
Application	cuffs, collars, trousers, jackets, shoes

Article No	01363-000001(BLK)
Scale	2:1
Date	07.06.2019
Author	Lasse Zimmermann
Available from	June 2019

patented technology.