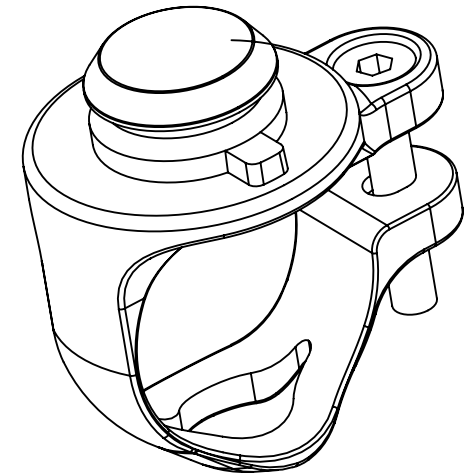


**FIDLOCK®**



<b>Product</b>	<b>Snap male L Tube Clip</b>
<b>Opening</b>	<b>push/pull</b>
<b>Material</b>	<b>PA66 + GF15%</b>
<b>Colour</b>	<b>Black</b>
<b>Weight</b>	<b>14 g</b>
<b>Load capacity</b>	
<b>General notes</b>	<b>-for poles/tubes with diameter <math>\varnothing 24-27</math>mm</b>

<b>Article No</b>	<b>05232-000002(BLK)</b>
<b>Scale</b>	<b>3:2</b>
<b>Date</b>	<b>15.11.2017</b>

**patented technology.**